



**3H** Communication Systems

3H offers innovative, high quality and cost effective RF / Microwave Filter solutions ranging from DC to 50 GHz backed by our 5 year warranty and manufactured in our ISO 9001 facilities.

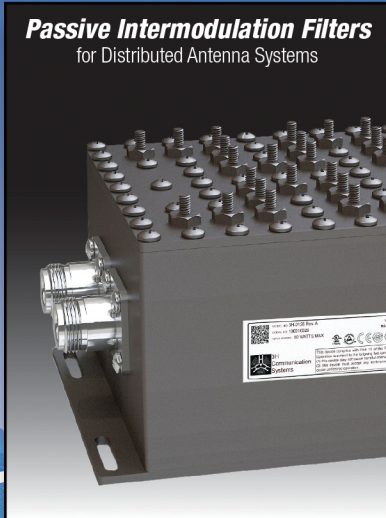


**3H Nano-Filters**  
smallest custom filter on the market today!

## FEATURED RF FILTER SOLUTIONS:

DEFENSE | TELECOM | SECURITY | TRANSPORTATION | AEROSPACE | MEDICAL

**Passive Intermodulation Filters**  
for Distributed Antenna Systems



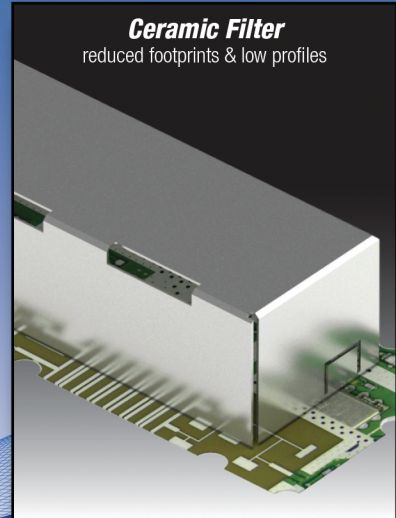
**Nano Filters**

Down to 0.059" profiles



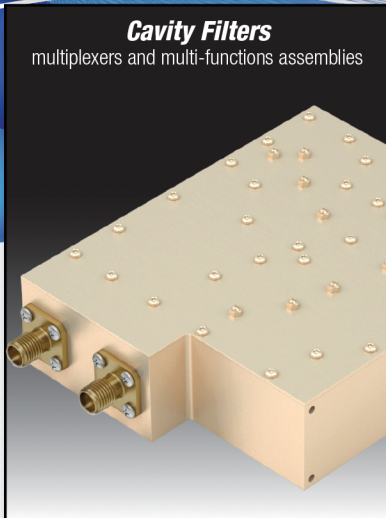
**Ceramic Filter**

reduced footprints & low profiles



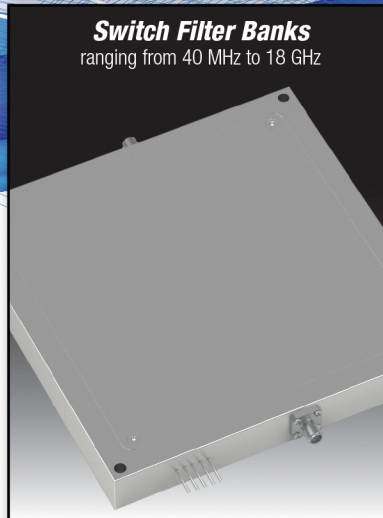
**Cavity Filters**

multiplexers and multi-functions assemblies



**Switch Filter Banks**

ranging from 40 MHz to 18 GHz



**Duplexers**

for Distributed Antenna Systems



VISIT OUR WEBSITE AT [INNERHARBORTECH.COM](http://INNERHARBORTECH.COM)  
TO SCHEDULE A VIRTUAL PRODUCT DEMO